

# TECFLOW Highlights

**TECFLOW – the progressing cavity pump, designed for wastewater, water treatment and general industrial applications.**

Liquids with fiber or solid contents up to 10% dissolved solids are pumped.

## High performance

The new 2/3 lobe pumping elements with a considerably higher performance density offer a 100% higher flow rate at similar speed compared to the pumps with conventional 1/2 lobe pumping elements.

## Further advantages:

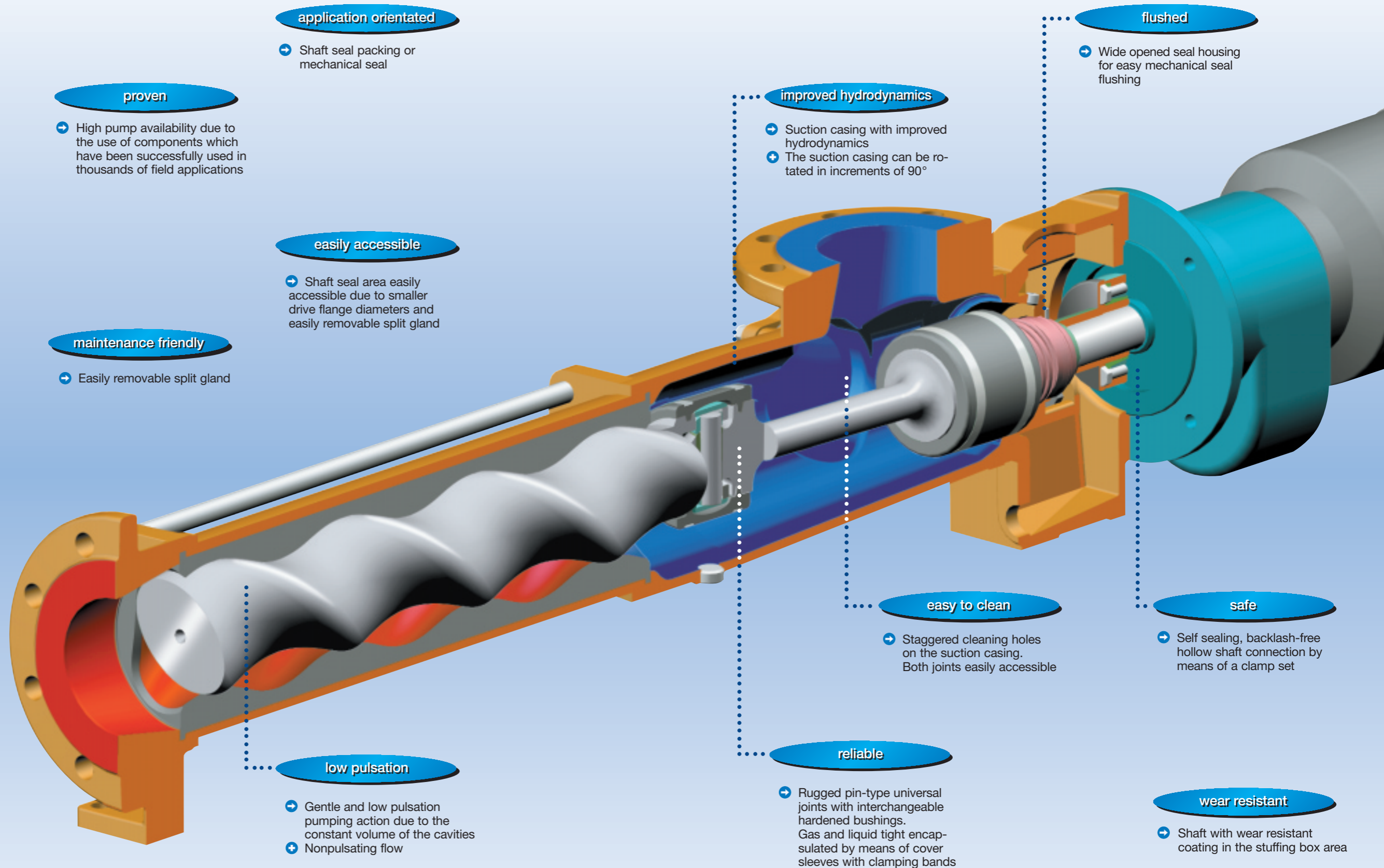
- low NPSH-values
- stable performance curve
- high metering accuracy
- short and space saving design, as close coupled block pump
- improved overall efficiencies due to three enclosed pump cavities and a more equal elastomer wall thickness

## Maximum operating data

- ➔ Flow Rate up to 820 GPM
- ➔ Liquid Temperature up to 104 °F
- ➔ Differential Pressure up to 58 PSI
- ➔ Pump discharge pressure up to 232 PSI
- ➔ Solid content up to 10% dissolved solids

Get in contact with us!

**ALLWEILER – the right pump for every field of application.**



### proven

- ➔ High pump availability due to the use of components which have been successfully used in thousands of field applications

### application orientated

- ➔ Shaft seal packing or mechanical seal

### easily accessible

- ➔ Shaft seal area easily accessible due to smaller drive flange diameters and easily removable split gland

### maintenance friendly

- ➔ Easily removable split gland

### improved hydrodynamics

- ➔ Suction casing with improved hydrodynamics
- ➔ The suction casing can be rotated in increments of 90°

### flushed

- ➔ Wide opened seal housing for easy mechanical seal flushing

### low pulsation

- ➔ Gentle and low pulsation pumping action due to the constant volume of the cavities
- ➔ Nonpulsating flow

### reliable

- ➔ Rugged pin-type universal joints with interchangeable hardened bushings. Gas and liquid tight encapsulated by means of cover sleeves with clamping bands

### easy to clean

- ➔ Staggered cleaning holes on the suction casing. Both joints easily accessible

### safe

- ➔ Self sealing, backlash-free hollow shaft connection by means of a clamp set

### wear resistant

- ➔ Shaft with wear resistant coating in the stuffing box area



Brand

A Member of the COLFAX PUMP GROUP

**IMO Pump**  
1710 Airport Road 28110  
PO Box 5020  
Monroe, NC/USA 28111.5020  
Tel: 1+ (704) 289.6511  
Fax: 1+ (704) 289.9273  
Email: imo.pump@colfaxcorp.com  
Web: www.progressingcavity.com



ALLWEILER



HOUTTUIN



IMO PUMP



WARREN

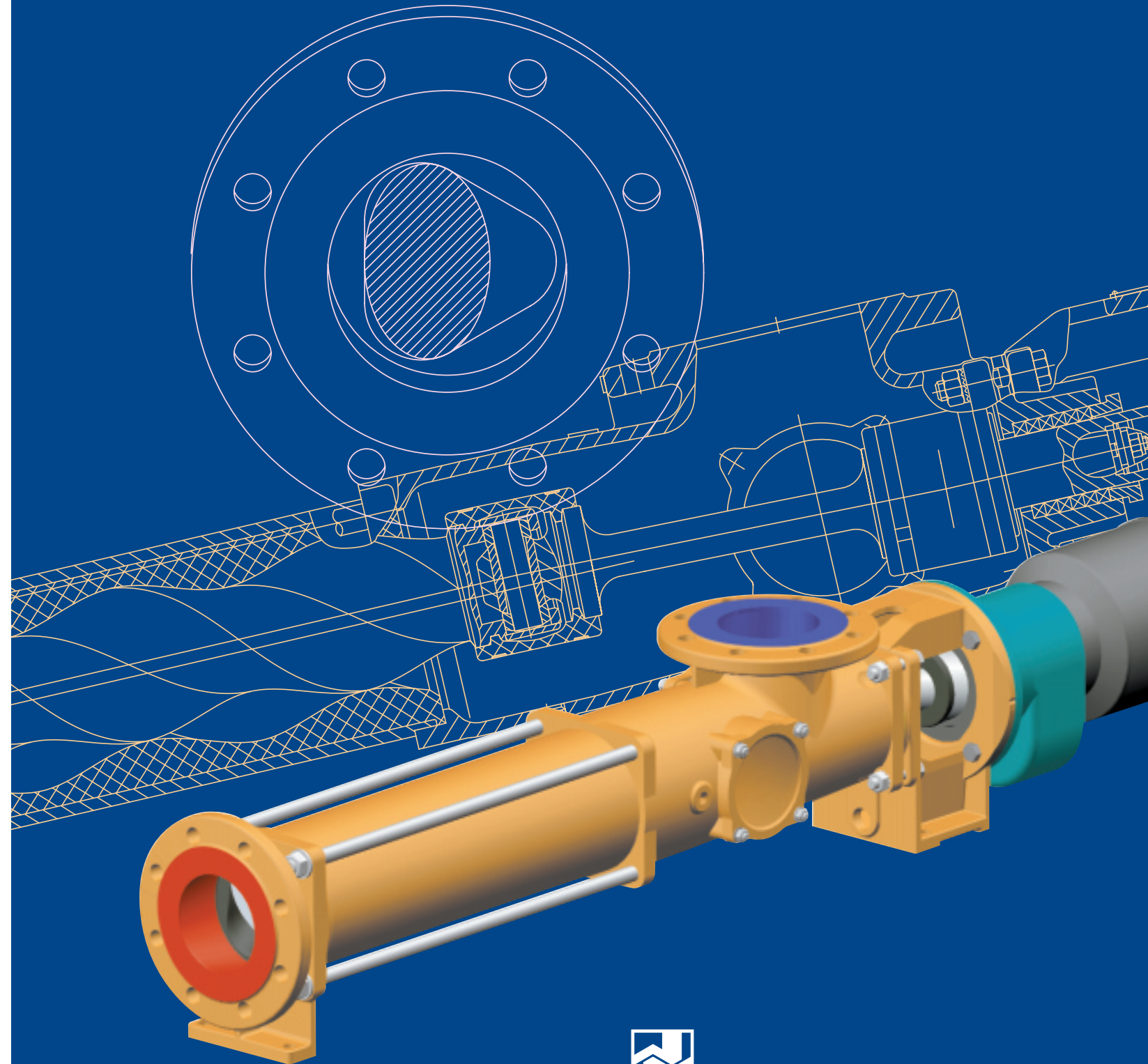


**The reliable pump people**



Quality Management System

# 100 % more flow rate for general industry, water and wastewater treatment



Progressive Cavity Pump

# TECFLOW